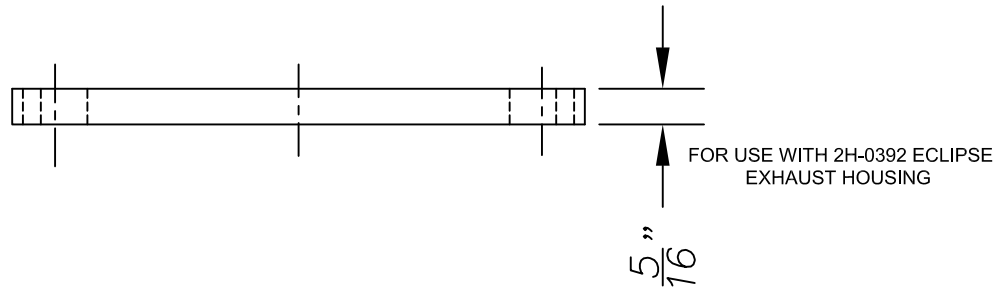
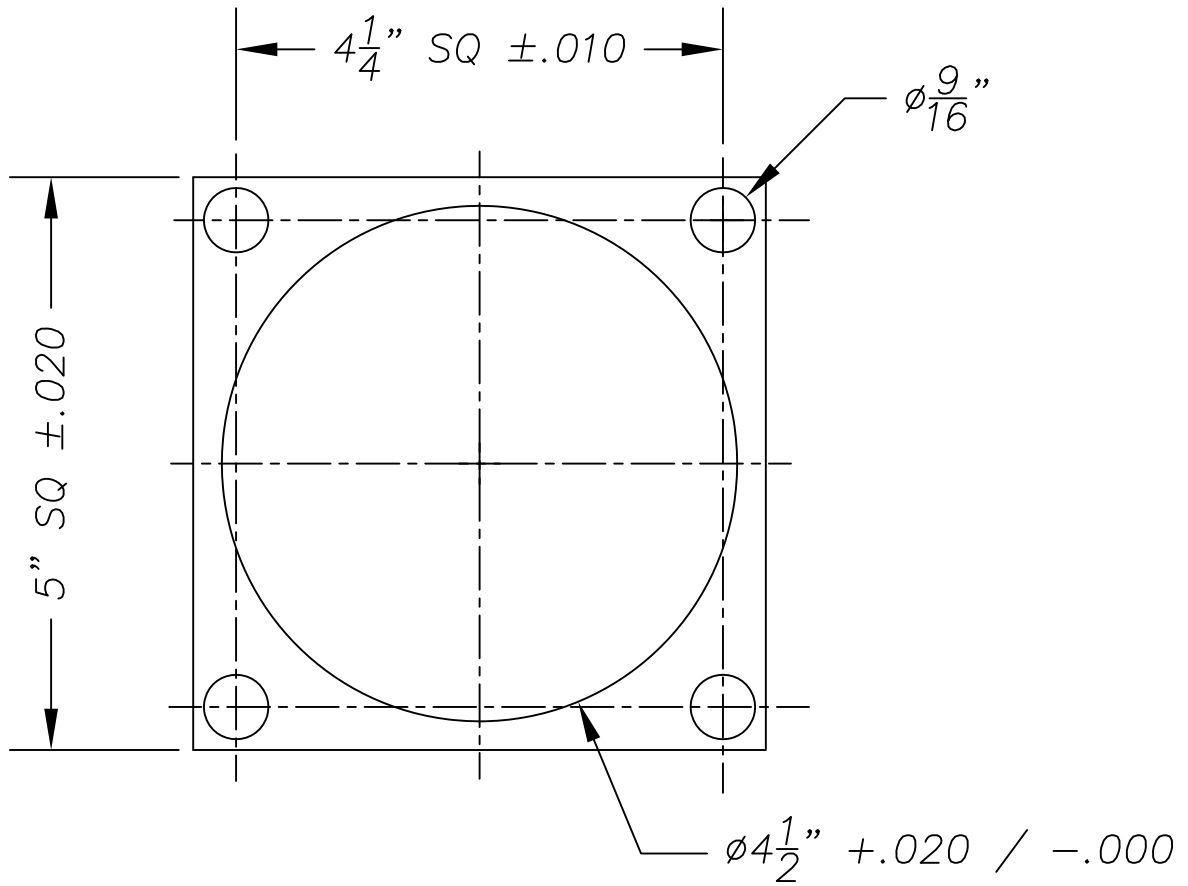



NOTES:

1. THIN OUTER TUBE ADAPTER SHOWN
FOR 3-1/4" TUBE FLANGE

2. MATERIAL: MILD STEEL



TOLERANCE: ±.010" UNLESS OTHERWISE SPECIFIED

 INCORPORATED HOLLAND, NY 14080	CUSTOMER: INEX SALES	
	DESCRIPTION: ADAPTER PLATES - ECLIPSE BURNER FOR INEX COMPOSITE TUBES	
	DWG #: 84-ADPTHIN	
	DRAWN BY: M. TOMAZIN	
DRG DATE: 23MAR15	SCALE: NONE	SHT 1 OF 1
REV DATE:		