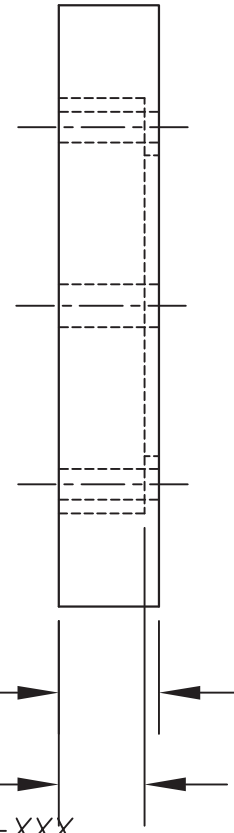
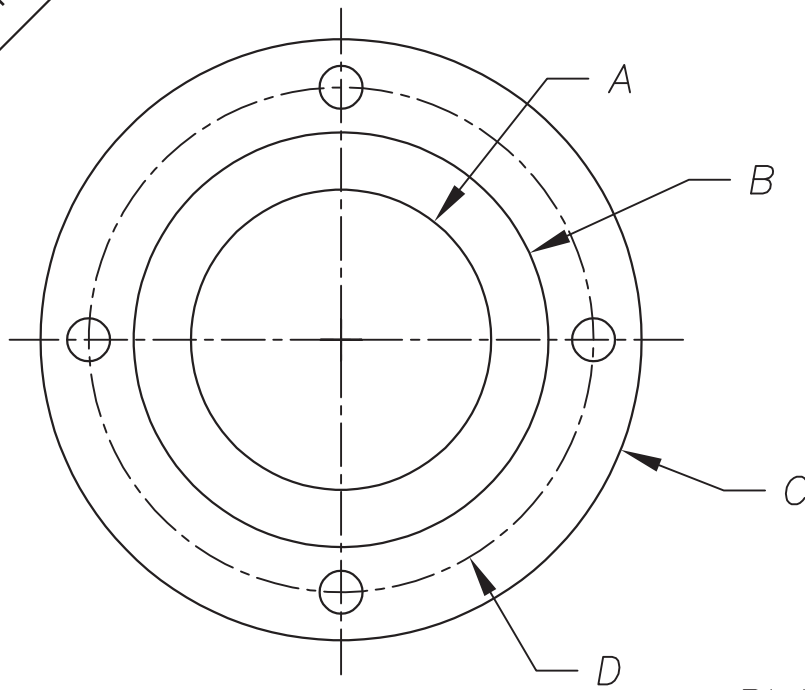


REV 1



MATERIAL: MILD STEEL

PLATE THICKNESS
 $0.75" \pm 0.01"$
 EXCEPT #152-ADP-XXX
 ($0.85 \pm 0.01"$)

DRAWING NUMBER	REVISION DATE	"A" THRU HOLE ± 0.01	"B" C'BORE HOLE ± 0.01	"C" PLATE DIAMETER ± 0.02	"D" BOLT CIRCLE ± 0.01	BOLT HOLES	PLATE THICKNESS ± 0.01	NOTES
060-ADP-525	11/5/1996	2-5/8"	3-5/8"	5-1/4"	NONE	NONE	7/8"	2 3/8" TUBE FLANGE ADAPTER, 5-1/4" ROUND 2-3/4" TUBE FLANGE ADAPTER, TBD
083-ADP-525		3-1/2"	4-1/2"	5-1/4"	NONE	NONE	7/8"	3-1/4" TUBE FLANGE ADAPTER, 5-1/4" ROUND
083-ADP-537	11/5/1996	3-1/2"	4-1/2"	5-3/8"	?	?	7/8"	3-1/4" TUBE FLANGE ADAPTER, 5-3/8" ROUND
083-ADP-725		3-1/2"	4-1/2"	7-1/4"	5-3/4"	9/16"	7/8"	3-1/4" TUBE ADAPTER, 7-1/4" ROUND
083-ADP-85		3-1/2"	4-1/2"	8 1/2"	7 1/4"	9/16"	7/8"	3-1/4" TUBE ADAPTER, 8 1/2" ROUND
83-ADPTHIN	6/5/2019	4-1/2"	N/A	7 1/4"	6"	9/16"	5/16"	3-1/4" TUBE FLANGE SPACER FOR SLIP CAST TUBE REPLACEMENT (NO COUNTERBORE) REF: ECLIPSE #2H-0392
95-ADP-63		4"	5"	6.300"	NONE	NONE	7/8"	3-3/4" TUBE ADAPTER, 160mm ROUND
114-ADP-65	7/5/2016	4-3/4"	5-5/8"	6-1/2"	NONE	NONE	7/8"	4-1/2" TUBE FLANGE ADAPTER, 6-1/2" ROUND, OBRIEN & GERE DENTON TSI
114-ADP-85		4-3/4"	5-5/8"	8-1/2"	7"	9/16"	7/8"	4-1/2" TUBE FLANGE ADAPTER, 8-1/2" ROUND
RECON-ADP	6/5/2019	5-1/4"	6-3/8"	7 1/2"	N/A	N/A	7/8"	JD RECON ADAPTER PLATE, 3 HOLES ON OUTER EDGE PART #: IM247999 (GASKET: IM248000)
152-ADP-226		6-1/4"	7-1/4"				1"	6" TUBE FLANGE ADAPTER, ___" ROUND NOTE: ALL 6" TUBE COUNTERBORES ARE $0.85" \pm 0.01$



DRAWING NUMBER NOTE:
 SUBSTITUTE "GSK" FOR "ADP" TO ORDER THE THREE-PIECE GASKET SET FOR ANY ADAPTOR PLATE P/N IN THIS COLUMN

060-ADP-00 TO 060-GSK-00



INCORPORATED
 HOLLAND, NY 14080

ORG DATE: 9/29/13

REV DATE: 7/24/2019

CUSTOMER: INEX SALES	
DESCRIPTION: INEX ROUND ADAPTER PLATES FOR 2-3/8" TO 6" TUBES	
DWG #: SER-Standard-Round-ADP	
DRAWN BY: D. PERLIND	
SCALE: NONE	SHT 1 OF 1